

A Review of Flyback Micro Inverter for Integration of Fuel Cells with Single Phase Grid

Biranchi Mishra¹, Jukti Prasad Padhy²

¹(Department of Mechanical Engineering, Gandhi Engineering College, India)

²(Department of Mechanical Engineering, Gandhi Engineering College, India)

Abstract: Sustainable power source is going to assume a significant job later on vitality situation. All the current topologies utilize number of middle of the road arranges before change of DC contribution to the AC yield to the lattice side. For this sort of transformation, effectiveness is low and number of intensity parts are likewise extremely high. In this paper, a minimal effort high effectiveness basic DC-AC flyback inverter is proposed. The proposed converter comprises of a straightforward flyback converter followed by a basic full extension inverter with inactive snubber in the essential. The methods of activity of the converter alongside the plan of the converter with the snubber is talked about. Exploratory outcomes from reproductions are introduced too.

Key words: Single Phase Grid, Micro Inverter, Fuel Cells

I. Introduction

Energy crisis in recent times and rising environmental concern are making renewable energy sources more and more important. In the year of 2014, the use of renewable energy was 2610.6 million tons of oil equivalent (Mtoe), responsible for 30% of world energy consumption [1]. The energy produced from maximum available renewable energy or those under research work (like Fuel Cell) is in DC form. The generation system can be locally grid connected or by using long range transmission. If the system is locally connected we need to step up or step down the voltage for a particular voltage level [2-6]. When appliances are connected to the local grid too we need different voltage levels for different applications, thereby necessitating the use of a DC-DC converter.

Our existing single phase grid is compatible with alternating current and the appliances are also made in that fashion. For this type of system we cannot directly integrate the DC generation system or renewable generation system. In order to integrate renewable energy systems with the existing single phase grid, energy conversion is needed from DC to AC. The first step is to make the DC to a particular voltage level using a DC-DC converter and then DC-AC conversion is done using an inverter. The feasibility of the inverter depends upon the DC-DC converter efficiency and the capability to withstand high voltage surge and inrush current. Considering all available topologies [7-9] and existing converter models, it is seen that flyback converter is the most suitable model for the PV micro inverter. With its simplicity and low cost it is the best choice of DC-DC converter for integration with inverters for low power level applications. The operation of conventional flyback inverter [10-13] is very simple and the conduction mode of the primary flyback converter is mainly DCM. The transformer acts like an inductor and provides an added advantage of isolating the high voltage output side from the low voltage input side. The primary side of the transformer charges when the primary side switch is on and it discharges when the primary switch it off and gives supply to the inverter.

In the existing system the main problem is with the efficiency of the overall system and huge stress on the main primary side switch. So to overcome that problem a new micro inverter topology has been proposed and detailed operation, design criterion and feasibility has been discussed in the later sections.

Nomenclature			
f_s	switching frequency	V_{in}	input voltage
DCM	discontinuous conduction mode	$V_{g,p}$	grid voltage
PV	Photo voltaic	r.m.s.	root mean square
THD	total harmonic distortion	P_o	output power
C_{clamp}	clamping capacitor	I_p	input current

II. Proposed Flyback Inverter Scheme

Generally a flyback micro inverter is connected with low DC voltage (i.e. around 45 Volt) at the input side. Due to low voltage at the input, the losses at the time of turning on are less compared to high voltage switching as energy stored in the output capacitance of the switch is less. Though this flyback micro inverter is a low power converter, current flowing through the primary side (input) of the transformer may be quite high. This case happens when the flyback micro inverter is designed to operate in such a fashion that the transformer is demagnetized fully before ending each switching cycle. If the switch is turned off with this high current, there will be high turn off losses.

The primary side switch turn off losses can be reduced by implementing a snubber circuit that cuts down the voltage rise rate across the switch at the time of turning off and hence reduces the voltage-current product of the switch. This has been incorporated in the proposed converter.

In Fig. 1 the proposed flyback micro inverter model has been shown. The primary side of the transformer of the proposed micro inverter is just like a simple DC-DC flyback converter.

It has only one switch S_1 . For reduction of switching losses and increasing the converter efficiency, a snubber circuit has been introduced in the primary side of the converter. The snubber circuit consists of capacitor C_{clamp} and diode D_1 . The secondary side of the converter is a simple full bridge inverter with four switches. At the output of the inverter, a L-C filter has been used to produce a sinusoidal wave which is fed to the grid. Due to the filter circuit, there is negligible amount of THD in the output of the inverter.

The basic operating principle that should be followed by the micro inverter for the production of accurate alternating waveform in the grid side is that the flyback transformer should be fully discharged before starting of the next switching cycle. The switches in the secondary side S_{01} , S_{02} , S_{03} , S_{04} must operate properly to get an appropriate AC waveform which must be synchronized with the grid. S_{01} and S_{02} is turned to transfer energy to grid and to produce output with positive polarity. S_{03} and S_{04} are turned on to transfer energy to grid side and to generate output with negative polarity. The output filter circuit smoothens out the inverter output and produces a sinusoidal wave which can be fed to the grid.

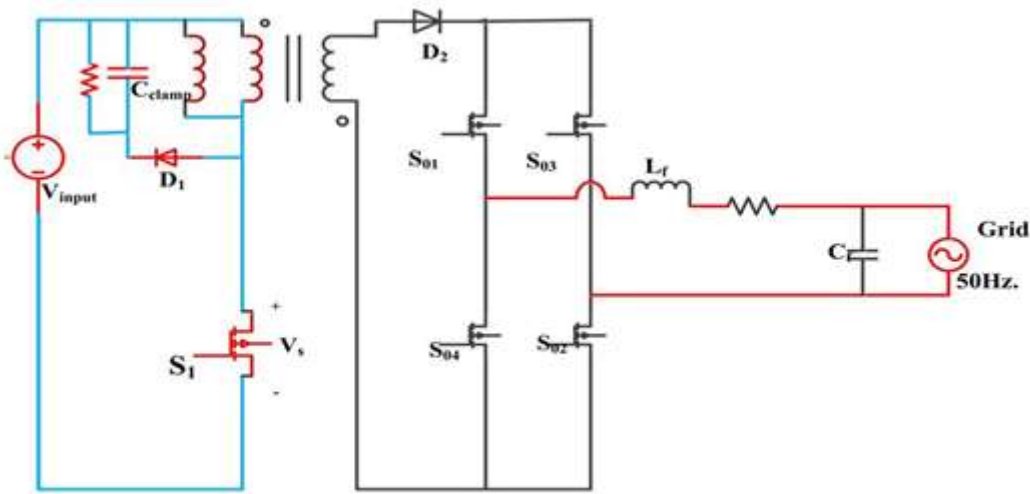


Figure 1 Schematic diagram of the proposed converter

III. Modes Of Operation

During a particular switching cycle, the flyback micro inverter operates under several modes of operation. The equivalent circuit diagram of different modes of operation with the flow of current direction have been shown and discussed below.

3.1. Mode A: $t_0 - t_1$

The converter operation switching cycle begins with the turning on of the primary switch S_1 at $t=t_0$. After turning on of primary switch the source voltage comes across the primary inductance of the transformer and the transformer magnetizing inductances starts magnetizing. The conduction path is illustrated in red in Fig. 2.

3.2. Mode B: t1-t2

This mode of operation begins with the turning off of the primary switch S_1 at $t=t_1$. Consequence of this is that the current flow through the switch S_1 is stopped and it will flow through the magnetizing inductance and output capacitor of the switch S_1 , C_{clamp} and through Diode D_1 , C_{clamp} and the magnetizing inductance after voltage across C_{clamp} reaches to V_{input}

$N \cdot V_{output} + V_{clamp}$ (here V_{input} is the input source voltage, V_{output} is the instantaneous output voltage and N is the turns ratio of the transformer). At the end of the mode, voltage across C_{clamp} reaches its maximum value. The conduction path is illustrated in red in Fig. 3.

At the starting of this mode of operation at $t=t_2$, the transformer starts demagnetizing and secondary diode starts conducting. Simultaneously switches S_{01} , S_{02} , S_{03} and S_{04} operate according to the polarity of the grid voltage. When voltage polarity is positive switches S_{01} and S_{02} operate and current flows through both of the switch and to the grid. When voltage polarity is negative switches S_{03} and S_{04} operate. The conduction path is illustrated in red in Fig. 4.

3.3. Mode D: t3-t4

When the current goes to zero in the secondary side, there is no voltage reflection across the primary magnetizing inductance of the transformer. As a consequence, the magnetizing inductances begin to resonate with the output capacitor of the primary switch. This mode ends when the primary switch S_1 is turned on for the next cycle. The conduction path is illustrated in red in Fig. 5.

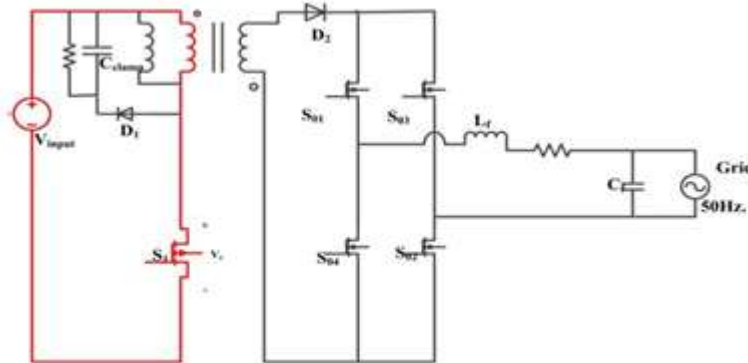


Figure 2 Illustration of Mode A conduction path

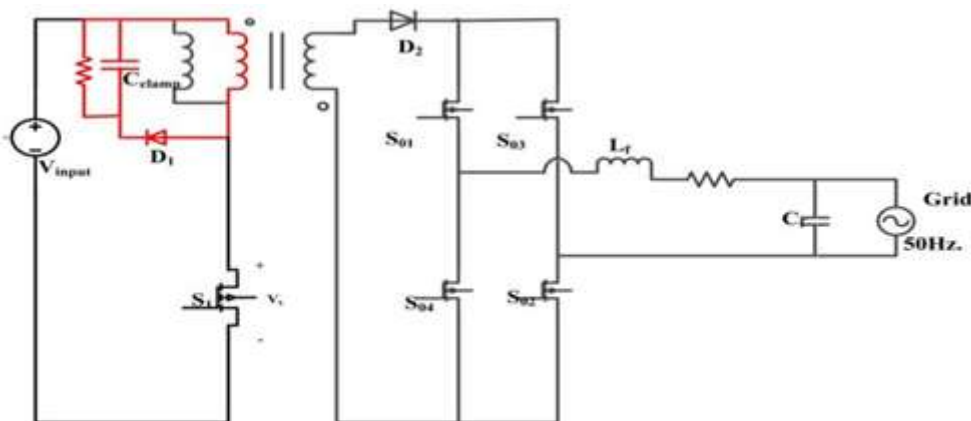


Figure 3 Illustration of Mode B conduction path

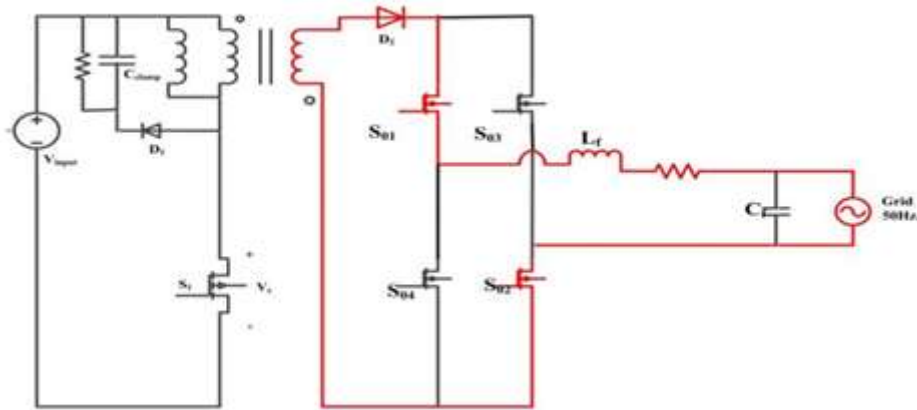


Figure 4 Illustration of Mode C conduction path

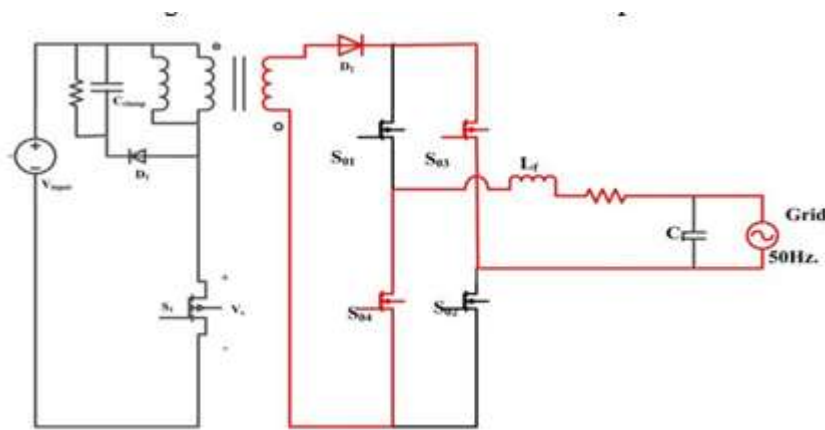


Figure 5 Illustration of Mode D conduction path

IV. Converter Design

The design procedure of the converter has been split into two parts. The first section consists of the design of the main converter alone and the second section consists of the snubber design. Basic specifications of the proposed converter are mentioned in Table 1.

Table 1 Basic specifications of the proposed converter

Parameter	Value
Input voltage	35V-45V
Flyback converter frequency	100 kHz
Inverter frequency	50 Hz
Output voltage	230 V r.m.s.
Output power	100 W

4.1. Main converter design

For getting a perfect sinusoidal wave in the grid side of the converter, it is mandatory to operate the converter in DCM. The component that ensures DCM mode of operation is the transformer primary magnetizing inductance (L_m). Depending on whether the primary inductance is high or low, the behaviour of the current changes. If the primary inductance value is too low, it will result in high peak in primary current and will give an extra stress on the primary side switch as forced switch off has to be done with huge current flowing through it. This will result in high turn off loss in the switch. If the inductance value is very high, it will in turn result in continuous conduction of the converter and that will make the output voltage have undesirable characteristics.

Selection of N and L_m is interlinked. These parameters are very much interdependent. When the converter has been designed to operate in the DCM mode of operation it is very important to give sufficient time for complete discharging of the peak magnetizing current of the primary inductance after the primary switch S_1

has been switched off. In this operation, the worst case is when the converter is operating in maximum duty ratio „d_p” and the primary current reaches to the maximum value in the grid cycle. The specifications of all the components used in the converter design are given in Table 2.

Table 2 Specifications of the circuit components

Component	Specification
Switches (MOSFET)	200 V, 18 A
Magnetizing Inductance (L _m)	28 μH
Primary snubber capacitance	0.12 μF
Primary snubber resistance	10 Ω
Output filter inductor	100 mH
Output filter capacitor	80 μF

The relation between input voltage, turns ratio and peak duty cycle is derived below and expressed in equation.

4.2. Snubber Design

The passive regenerative snubber circuit consists of clamping capacitor (C_{clamp}), Diode „D” and Resistor „R” in parallel. If the snubber circuit is not there, the accumulated energy in the leakage inductance as S₁ is turned off will be dissipated through the output capacitor of the switch. It will increase the voltage spike across the switch and may damage it. The clamp capacitor can absorb the energy and reduce the voltage spike of the switch. Using energy balance equation the clamp capacitor is designed.

V. Simulation Results

For the simulation of the proposed converter, PSIM ver. 9.1.1 software is used. The proposed converter is simulated in PSIM and the results are obtained from SIMVIEW. Fig. 6 shows the input D.C voltage waveform which is 35.6 V. Fig. 7 shows the waveform of primary switch voltage which is 60 V in steady state. The secondary switch voltage waveform is shown in Fig. 8 and the grid side output voltage waveform which is 230 V r.m.s. is shown in Fig. 9. It can be seen that a pure sine wave output is obtained.

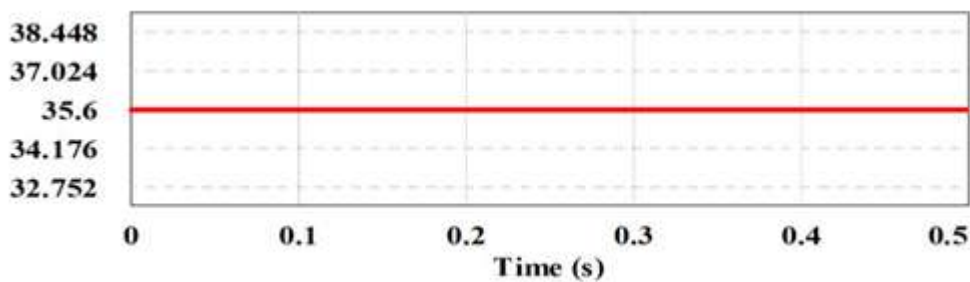


Figure 6 Input voltage to the converter

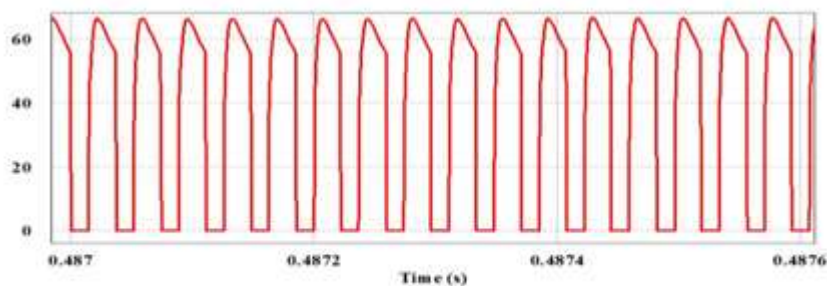


Figure 7 Primary switch voltage

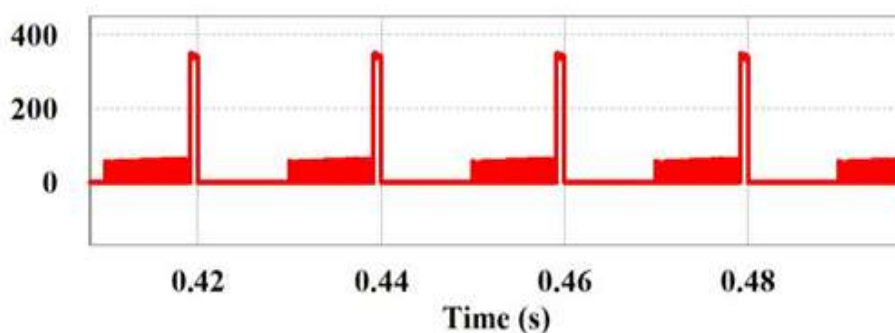


Figure 8 Secondary switch voltage

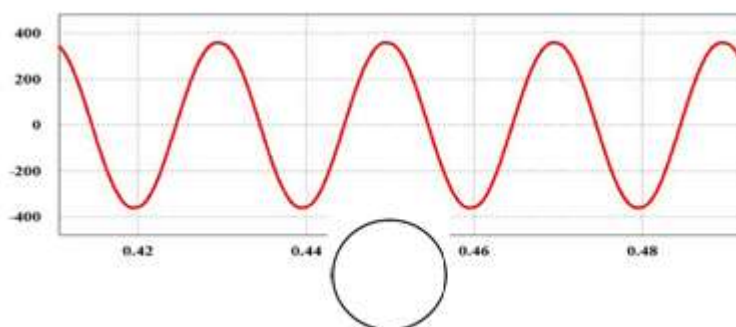


Figure 9 Output voltage of the flyback micro

VI. Conclusions

There are three types of architecture available among inverters, each with their own merits and demerits. They are central inverter, string inverter and micro-inverter. The focus of the thesis is on micro-inverter. The main objective of the paper is to make a cost effective, efficient micro-inverter in comparison with the existing topologies. With the help of a clamping circuit, the stress of the primary switch has been reduced which has led to lesser switching losses. Therefore, overall efficiency of the system has been increased. The circuit is very simple, compact and economical. The overall system design and operation has been discussed. The proposed converter gives output voltage with only 0.42% T.H.D. which is as per IEEE-519 standard. The proposed converter is very much suitable for integrating renewable energy sources like fuel cells and solar PVs with the existing grid. In the future, when DC grids become the norm, the converter can be used without the inverter at the output side.

References

- [1] EPIA; Global market outlook for Photovoltaics, Report 2013-2017.
- [2] German Advisory Council on Global Change, WBGU Berlin; www.wbgu.de; Renewable Energy Policy Network for the 21st Century, Renewables, Global Status Report 2006.
- [3] Kjaer S. B., Pedersen J. K. and Blaabjerg F., "A review of single-phase grid-connected inverters for photovoltaic modules," IEEE Trans. on, Ind. Appl., vol. 41, pp. 1292-1306, 2005.
- [4] Li Q. and Wolfs P., "A Review of the Single Phase Photovoltaic Module Integrated Converter Topologies with Three Different DC Link Configurations," IEEE Trans. on Power electron. vol. 23, pp. 1320-1333, May 2008.
- [5] Calais M., Myrzik J., Spooner T. and Agelidis V. G., "Inverters for single-phase grid connected photovoltaic systems-an overview," in proc. IEEE PESC, 2002, pp. 1995-2000.
- [6] Wills R. H., Krauthamer S., Bulawka A. and Posbic J. P., "The AC photovoltaic module concept," in Proc. IEEE IECEC, 1997, pp. 1562-1563 vol.3.
- [7] Kasa N., Iida T., and Bhat A.K.S., "Zero voltage transition flyback inverter for small scale photovoltaic power system," in Proc. IEEE PESC, 2005, pp. 2098-2103.
- [8] Mo Q., Chen M., Zhang Z., Gao M. and Qia Z., "Research on a non-complementary active clamp flyback converter with unfolding DC-AC inverter for decentralized grid-connected PV systems," in Proc. IEEE Ener. Conv. Cong. & Expo. (ECCE), 2011, pp 2481-2487.
- [9] Park J.K.; Kim Y.H.; Ji Y.H.; Jung Y.C. and Won C.Y., "A novel control strategy of an active clamped flyback inverter with synchronous rectifier for a photovoltaic AC module system," in Proc. IEEE ICPE & ECCE, 2011, pp.401-405.
- [10] Kang J.S., Kim Y.H., Youn S.J., Won C.Y. and Jung Y.C., "Active clamp flyback inverter considering leakage inductance of transformer for photovoltaic AC modules," in Proc. IEEE VPPC, 2012, pp.1379-1383.
- [11] Kim Y.H. , Kim J.G., Ji Y.H., Won C.Y. and Lee T.W., "A new control strategy of active clamped flyback inverter for a photovoltaic AC module system," in Proc. IEEE ICPE & ECCE, 2011, pp.1880,1885.

- [12] Sukesh N., Pahlevaninezhad M. and Jain P., "Analysis and Implementation of a Single Stage Flyback PV-Micro Inverter with Soft Switching," *IEEE Trans. on Ind.Elec.*, vol.PP, no.99, pp.11 0
- [13] Chandhaket S., Ogura K., Nakaoka M. and Konishi Y., "High-frequency flyback transformer linked utility-connected sinewave soft-switching power conditioner using a switched capacitor snubber," *Proc. Int. Power Elec. and Motion Cont. Conf. (IPEMC) 2004*, pp. 1242-1247
- [14] R. Y. Tamakloe, H. Agamasu And K. Singh, Power Generation By Double Chamber Membrane-Less Microbial Fuel Cells (MLMFCs). *International Journal of Advanced Research in Engineering and Technology*, 5(7), 2014, pp 12–20.
- [15] R. Y. Tamakloe, K. Singh And T. Opoku-Donkor. H₂O₂ As Electron Acceptor In Double Chamber Microbial Fuel Cells. *International Journal of Advanced Research in Engineering and Technology*, 5(1), 2014, pp 1–6.